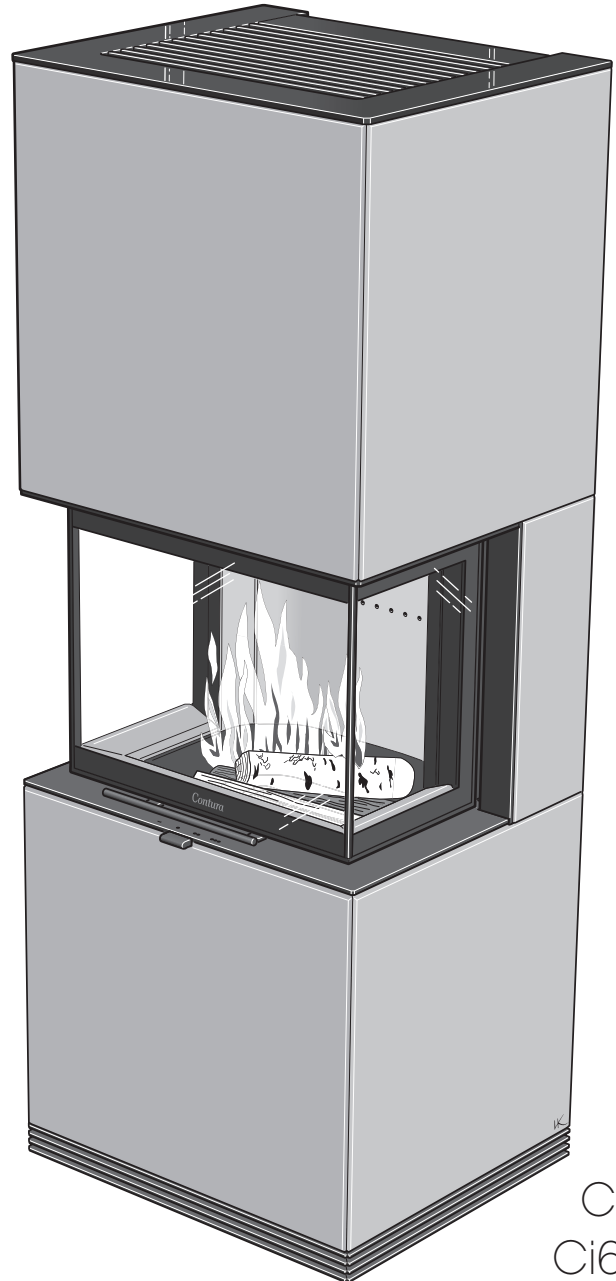
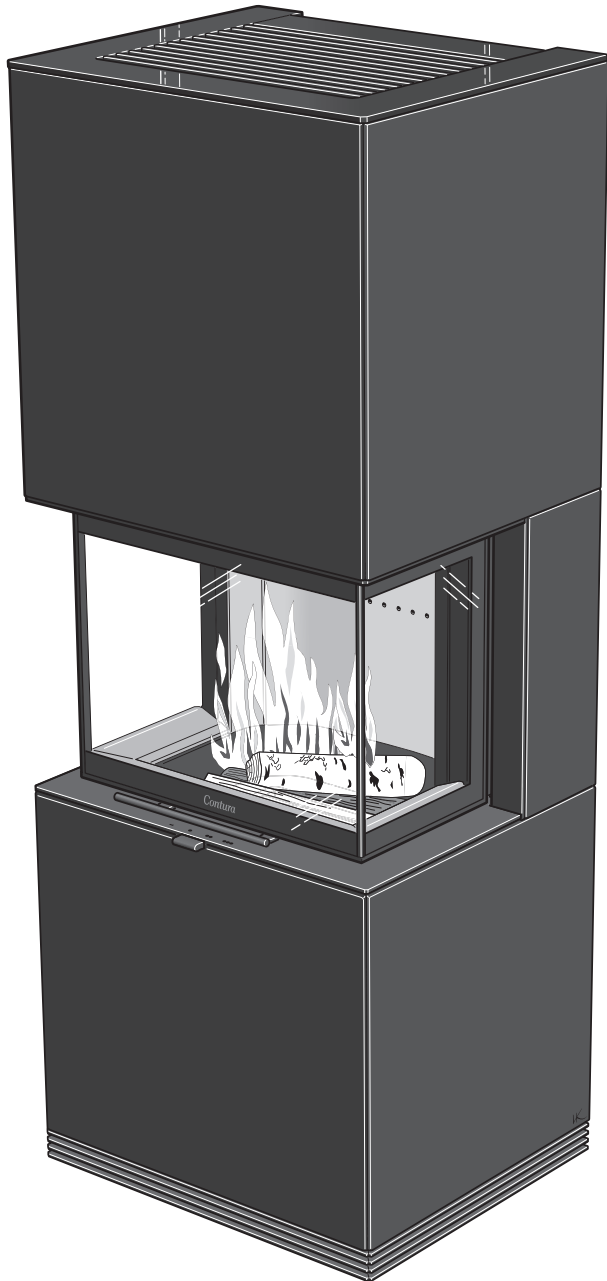


Installation instructions



Ci61
Ci61A
Ci61AN
Ci61T

Contura

Declaration of performance according to Regulation (EU) 305/2011

No. Ci61-CPR-191219

Contura

PRODUCT

Type Wood burning insert
Trade name Contura i61
Intended area of use Heating of rooms in residential buildings
Fuel Wood

MANUFACTURER

Name NIBE AB / Contura
Address Box 134, Skulptörvägen 10
SE-285 23 Markaryd, Sweden

VERIFICATION

According to AVCP System 3
European standard EN 13240:2001 / A2:2004 / AC:2007
Test institute Rein-Ruhr Feuerstätten Prüfstelle, NB 1625.

DECLARED PERFORMANCE

ESSENTIAL CHARACTERISTICS	PERFORMANCE	HARMONISED TECHNICAL SPECIFICATION
Fire safety	Pass	EN 13240:2001 / A2:2004 / AC:2007
Fire classification	A1	
Minimum distance to flammable materials	Rear: 0 mm Side: 500 mm Ceiling: 550 mm Front: 1000 mm Floor: 0 mm Corner: NPD	
Fire hazard due to burning fuel falling out	Pass	
Cleanability	Pass	
Emissions from combustion	CO: 0,07%	
Surface temperatures	Pass	
Temperature on the handle	NPD	
Mechanical resistance	Pass	
Temperature in the space for wood storage	NPD	
Nominal output	6,0 kW	
Efficiency	81,0%	
Flue gas temperature at nominal output	278°C	
Flue gas temperature in flue spigot	334°C	

The undersigned is responsible for the manufacture and conformity with the declared performance.



Niklas Gunnarsson, Business area manager NIBE STOVES
Markaryd, December 19, 2019



A warm welcome to Contura.

Welcome to the Contura family. We hope you will get a great deal of pleasure from your new insert. Congratulations on your purchase of a Contura insert. You have acquired a reliable quality product with a timeless design and long service life. Contura produces environmentally-friendly wood burning stoves that create heat in the most efficient way possible.

Please read these instructions carefully and thoroughly before installation. The Lighting instructions explain how you can obtain optimal performance from your stove.

Contents

Technical specifications	100
Chimney	101
Combustion air supply	102
Installation distances	103
Placement and adjustment of insert	105
Assembling the surround	107
Assembling the grate and top	115

NB!

You are required to apply to your local authority for permission to install a fireplace/stove

The owner of the house is personally responsible for ensuring compliance with the mandatory safety requirements and must have the installation approved by a qualified inspector. Your local chimney sweep must also be informed of the installation, as this will affect the routines for regular chimney-sweeping services.

WARNING!

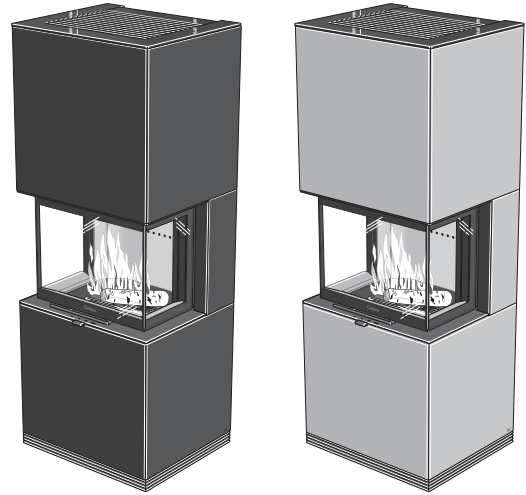
The insert becomes very hot

Parts of the insert become very hot when it is in use and can cause burns if touched. You should also be careful of the heat that transfers through the door glass. Combustible materials must be kept at the stated safe distance to prevent the risk of fire. A smouldering fire emits gases that can suddenly ignite and cause material damage and personal injury.

Technical specifications

Model	i61/i61A/i61AN/i61T	Log box (optional)
Output	5-9 kW	
Nominal output	6,0 kW	
Efficiency	81%	
Weight Ci61/ A/AN /T (kg)	195 /275 / 320	28
Powerstone (option):	+ 55 kg	
Width (mm)	590	400
Depth (mm)	500	500
Height (mm)	1570	570

Connection sleeve diameter Ø150 mm ext.



General information

This manual contains instructions about how to assemble and install the Contura i61. More information about the insert is available in the separate installation instructions.

We recommend the fireplace be installed by a qualified tradesperson to ensure it functions safely and properly. Our Contura dealers can recommend suitable installers. Dealer information is available at www.contura.eu

An instruction manual on how to obtain optimal performance from your insert is also provided. Please read this carefully and keep for future reference.

Application to local authority

You must apply for permission from your local authority before installing a stove or erecting a chimney. We recommend you contact your local authority for advice and information about obtaining permission.

Structural support

If the fireplace is to stand on a wooden joist, a structural engineer should be consulted to make sure the floor is able to hold its weight. It is usually necessary to reinforce the wooden joist if the gross weight is more than 400 kg.

Hearth plate

A hearth plate must be installed to protect a combustible floor from the risk of falling embers. It must extend at least 300 mm all the way around. The hearth plate can be natural stone, concrete, metal or glass. A glass hearth plate is available as an optional accessory for these models.

Walls behind

If your Contura i61 is to be installed against a combustible wall, the wall must be protected by a firewall or by the integrated protective screen (optional accessory). Products with an integrated protective screen can be installed in front of a wall with a minimum U-value of 0.08 W/(m²K). The following material requirements are made of the firewall:

The building material must not be combustible.

The thermal conductivity coefficient λ must be a maximum of 0.14 W/mK. The thickness of the building material must always be at least 100 mm. In cases where the building material's insulation properties are given as a U-Value, this must be a maximum of 1.4 W/m²K.

List of suitable materials:

Aerated concrete $\lambda = 0.12-0.14$

Vermiculite $\lambda = 0.12-0.14$

Calcium silicate $\lambda = 0.09$

Contact your chimney sweep for advice in choice of other materials. Remember that even a non-combustible wall may require protection if it is a load bearing wall or has combustible material behind it.

Chimney

The insert is approved for connection to a chimney designed to withstand flue gas temperatures of up to 350°C. The external diameter of the connection sleeve is Ø150 mm.

The insert requires a chimney draft that creates a negative pressure of 20–25 Pa in the firebox. The draft is affected primarily by the length and area of the chimney and also by how well sealed it is. The minimum recommended chimney length is 3.5 m and a suitable cross-section area is 150-200 cm² (Ø140-160 mm). Carefully check that the chimney is sealed and that there is no leakage of smoke from the soot doors or connections.

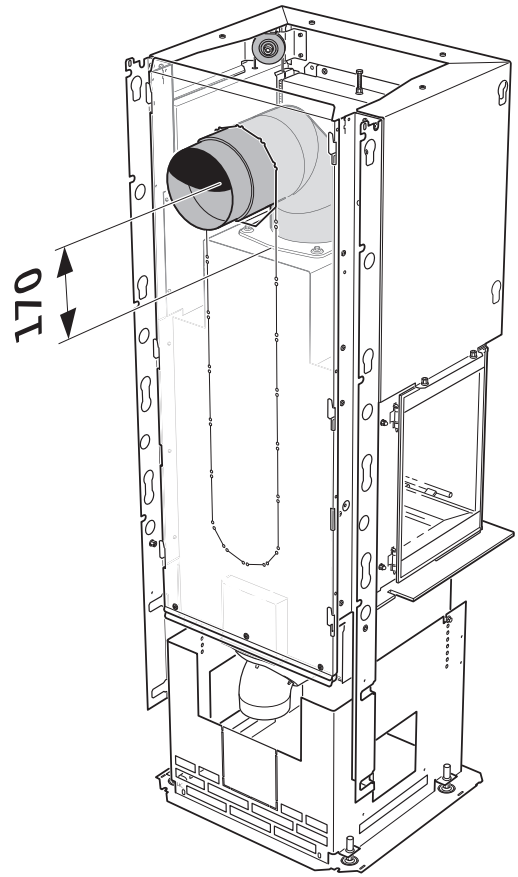
Note that sharp bends and horizontal lengths in a flue pipe reduce the draft in the chimney. The maximum horizontal length of flue pipe allowed is 1 m, provided the flue pipe rises vertically for at least 5 m. It must be possible to sweep the full length of the flue, and the soot doors must be easily accessible.

If two fireplaces are connected to the same chimney flue, the stove must be fitted with a self-closing door. See the instructions for the insert.

Rear connection

If connecting at the rear, we recommend using a 45° +45° angle with a soot hatch and with the centre 170 mm above the sleeve.

Note that if connecting at the rear, a heat deflector or protective screen must be installed before the chimney is connected.



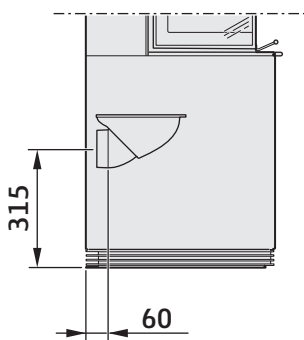
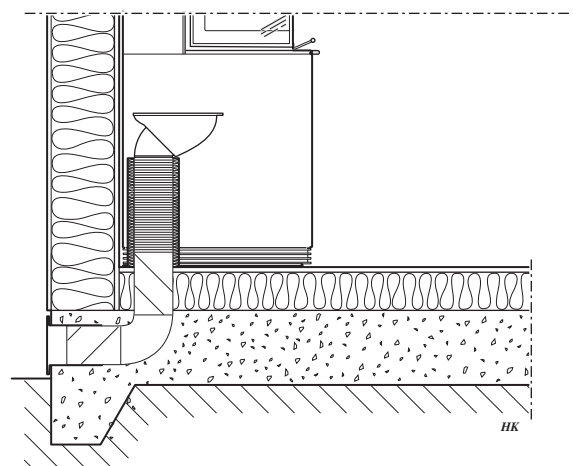
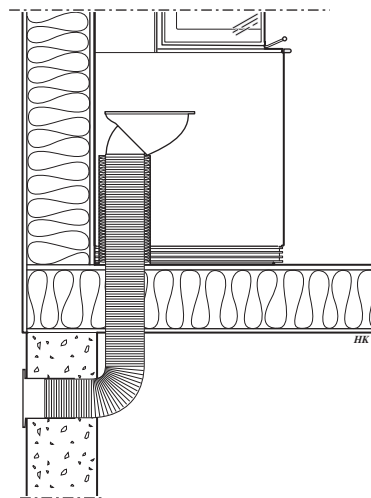
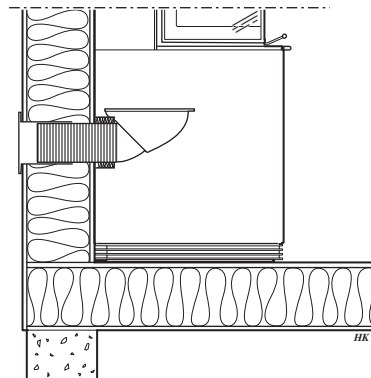
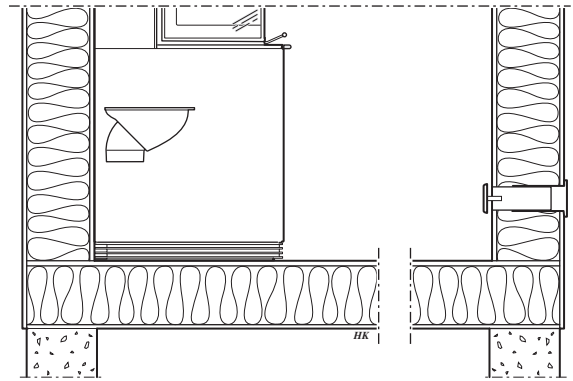
Combustion air supply

A supply of air for combustion must be provided. Combustion air can be drawn directly via a duct from outside, or indirectly via a vent in the outer wall of the room where the stove is placed. The amount of combustion air that is used for combustion is approx. 25 m³/h.

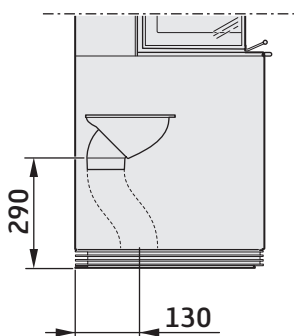
Some installation options are shown below. The connection sleeve on the stove has an external diameter of Ø100 mm.

In warm spaces, the duct should be insulated to prevent condensation using 30 mm mineral wool covered with a vapour barrier (aluminium tape). The space between the pipe and the wall (or floor) at the exit point must be properly sealed with flue jointing compound.

A 1-metre combustion-air tube insulated to prevent condensation is available as an optional extra.



Supply air rear



Supply air down

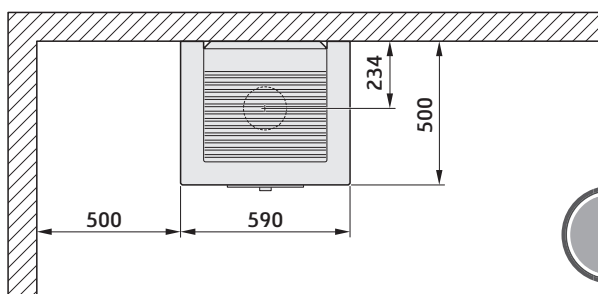
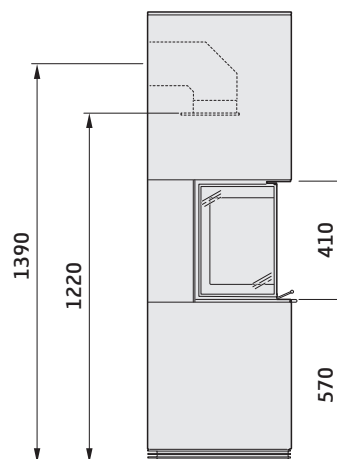
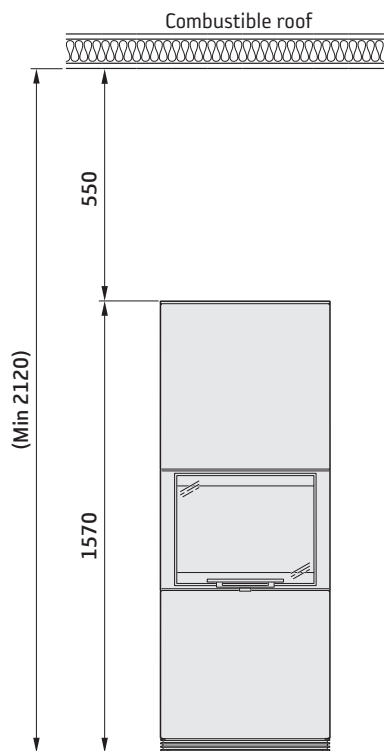
Installation distances

Ci61 / Ci61A / Ci61AN / Ci61T

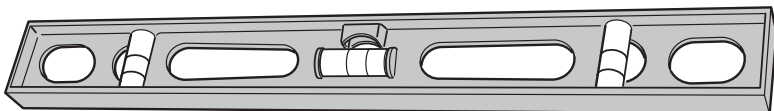
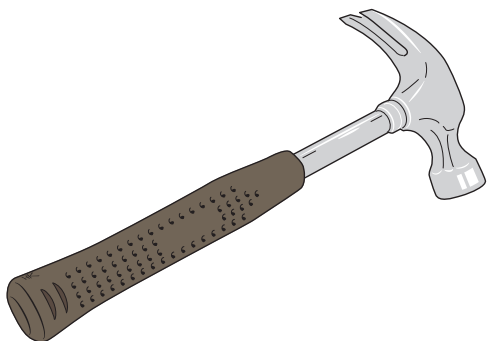
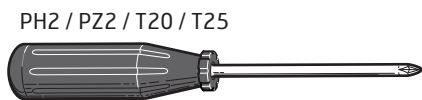
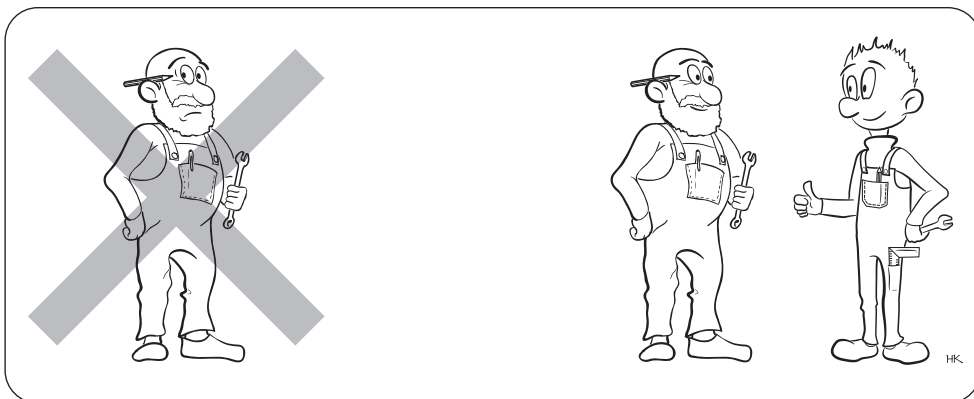
Important!

The dimension diagrams only show the minimum permitted installation distances for the stove. When connecting to a steel chimney, the requirements for safe distance to the

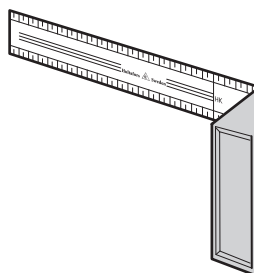
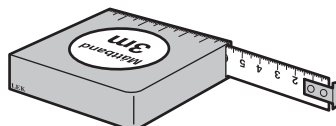
chimney must also be observed. A clearance of at least 1 m must be allowed as a safe distance between the front of the stove and combustible building elements or furnishings.



If the stove is to be positioned against a combustible rear wall, the wall must be protected by an external firewall or the integrated protective screen (available as an optional accessory in some markets). The material requirements for the firewall are specified in the section "Walls behind" on page 100

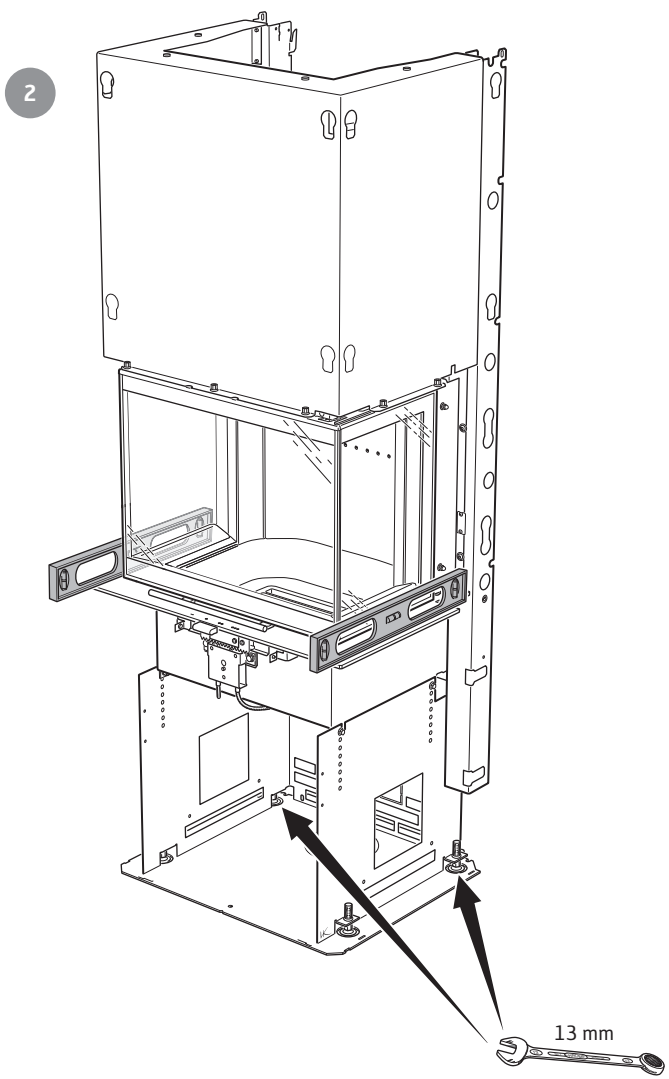
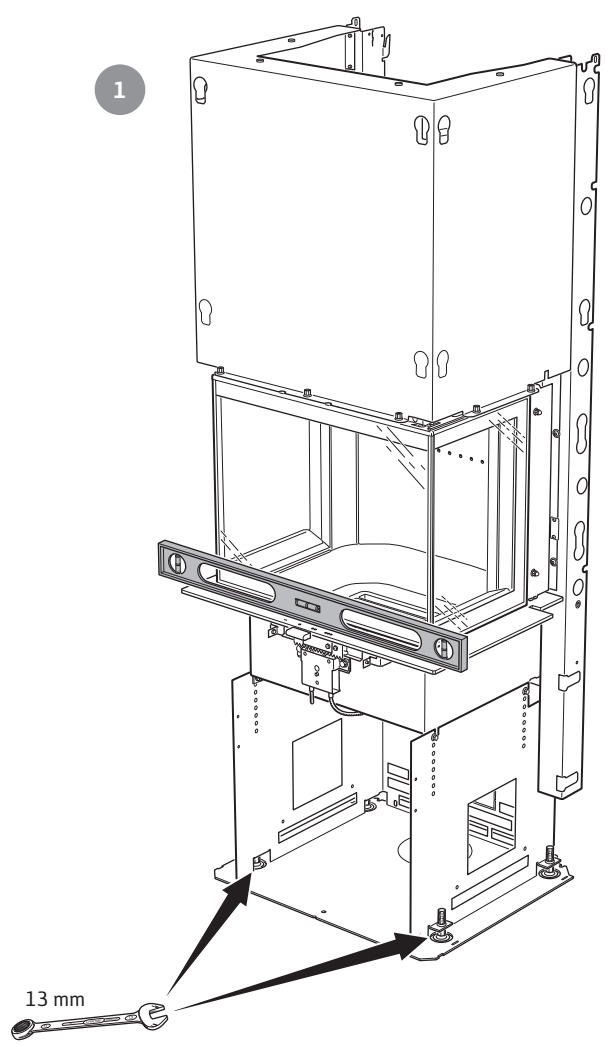


Allen screw 4

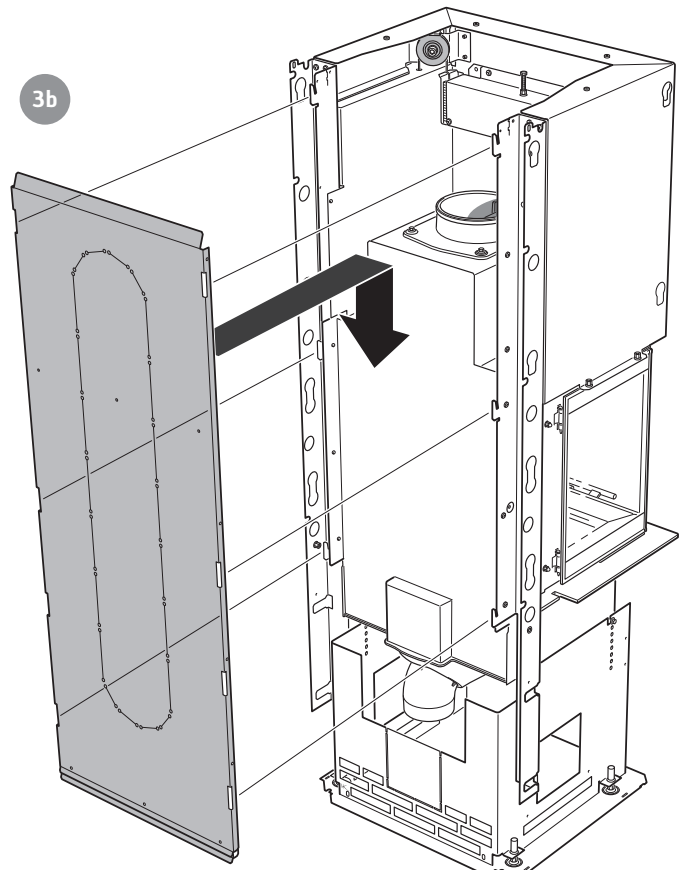
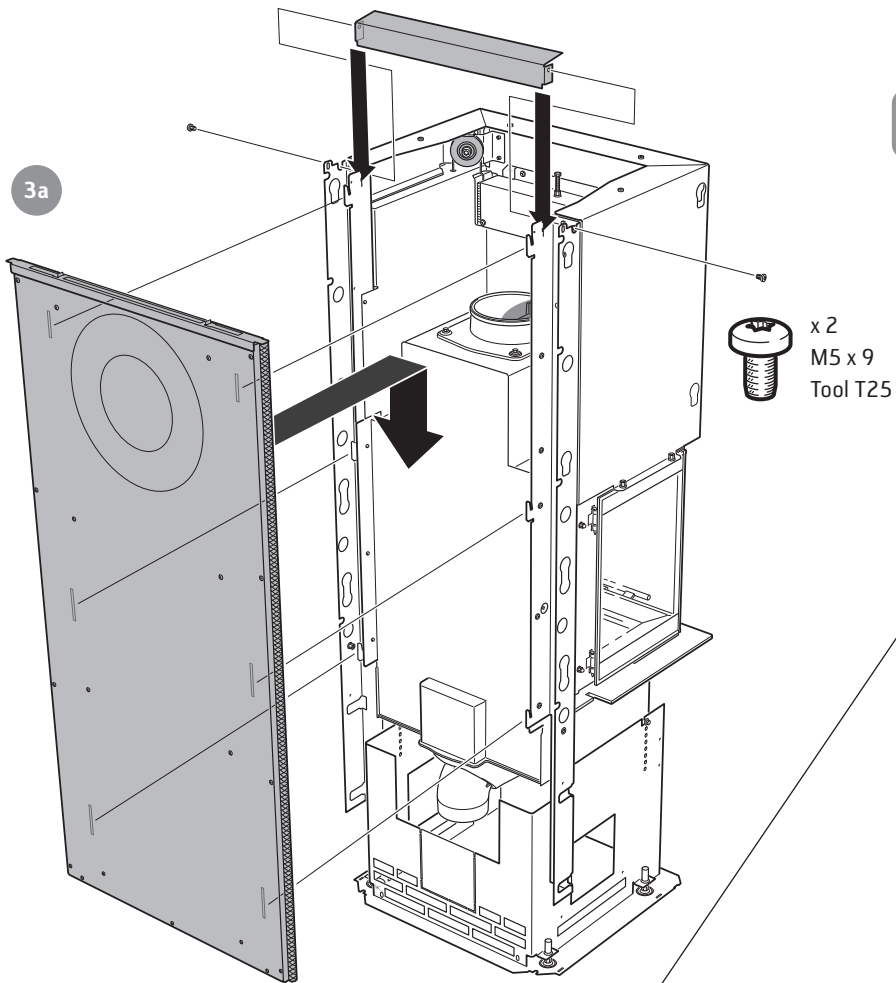


Placement and adjustment of insert

Ci61 / Ci61A / Ci61AN / Ci61T



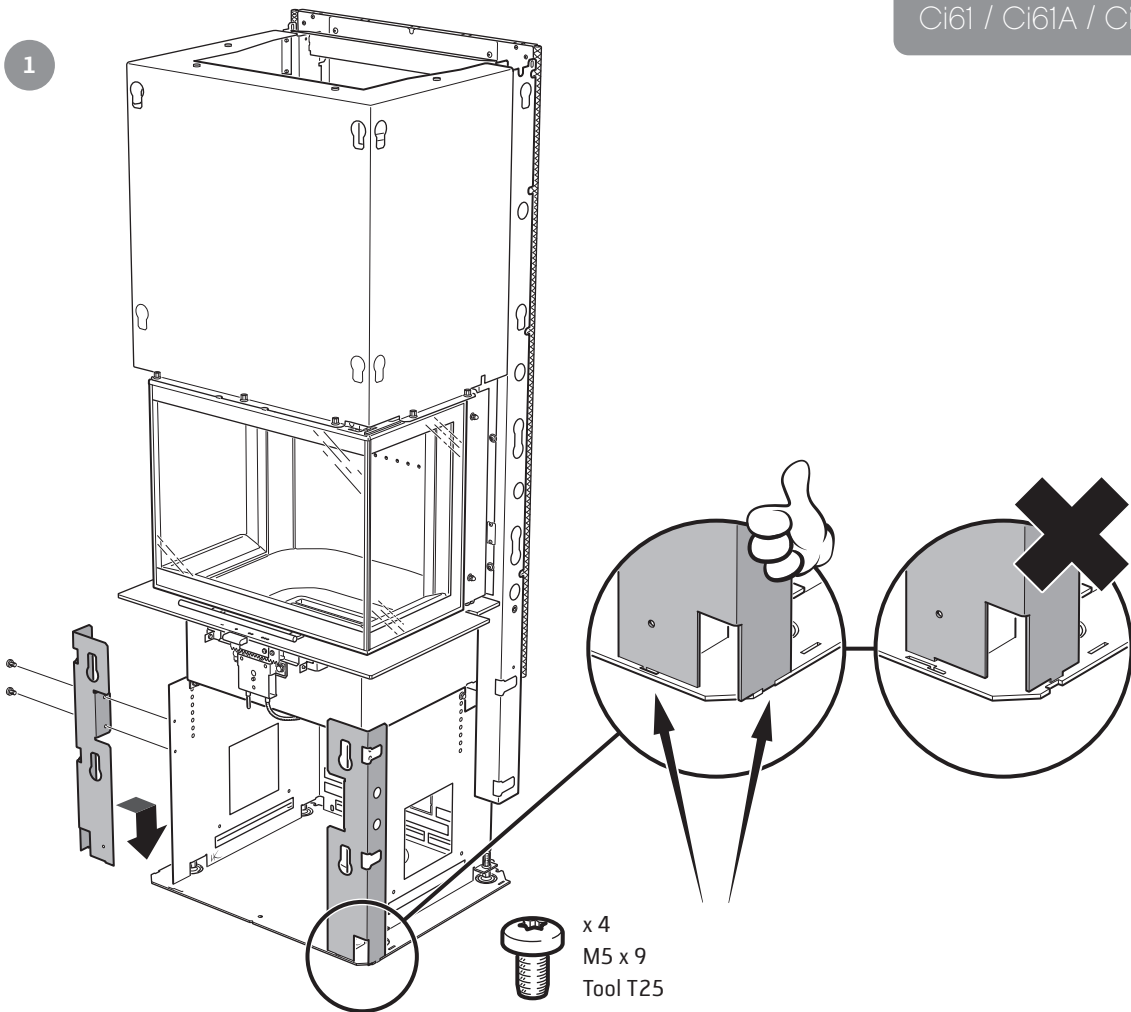
Ci61 / Ci61A / Ci61AN / Ci61T



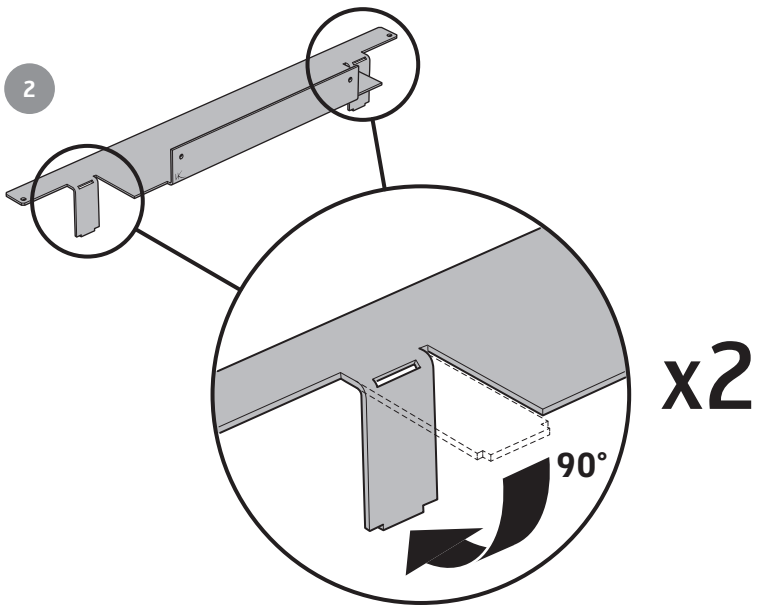
Assembling the surround

Ci61 / Ci61A / Ci61AN / Ci61T

1

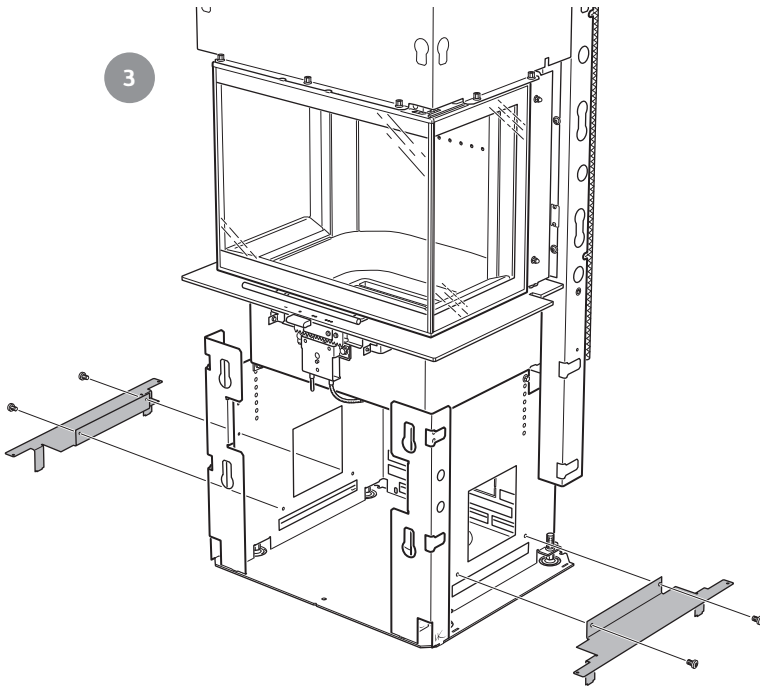



2



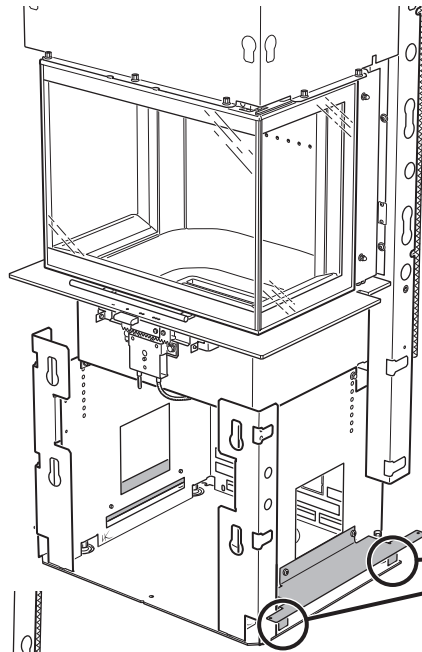
Ci61 / Ci61A / Ci61AN / Ci61T

3

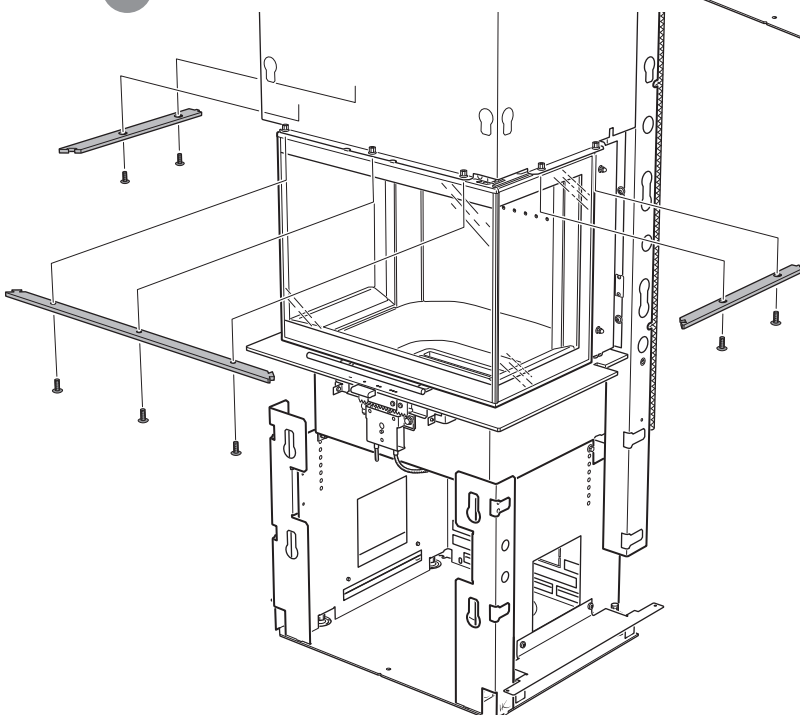
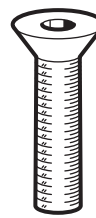



x 4
M5 x 9
Tool T25

4



5

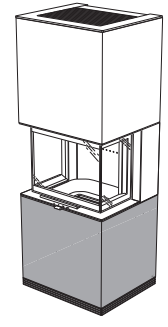
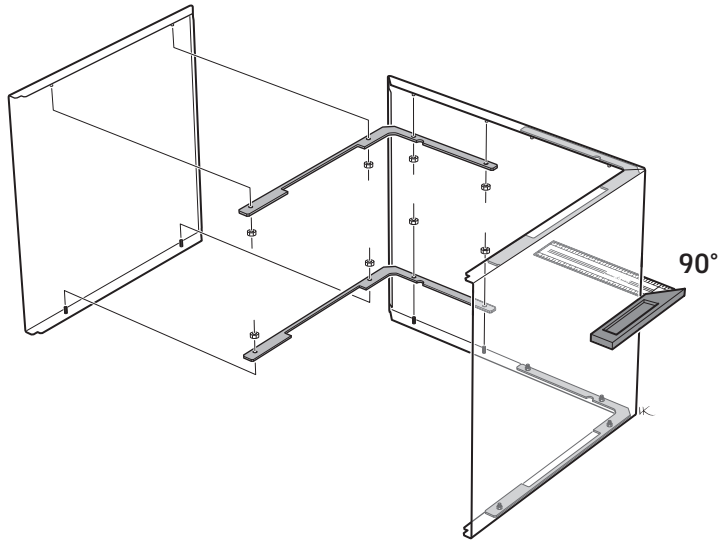



x 7
M6 x 25
Allen screw 4



Turn to page 112 to continue with assembly instructions for a stone or soapstone surround...

6

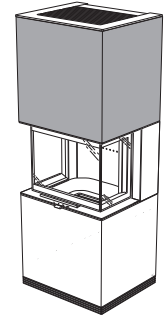
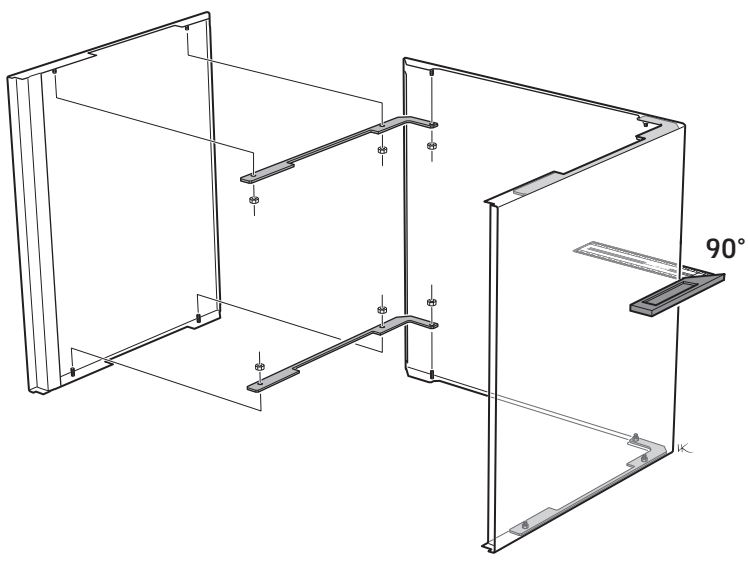


C161



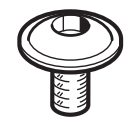
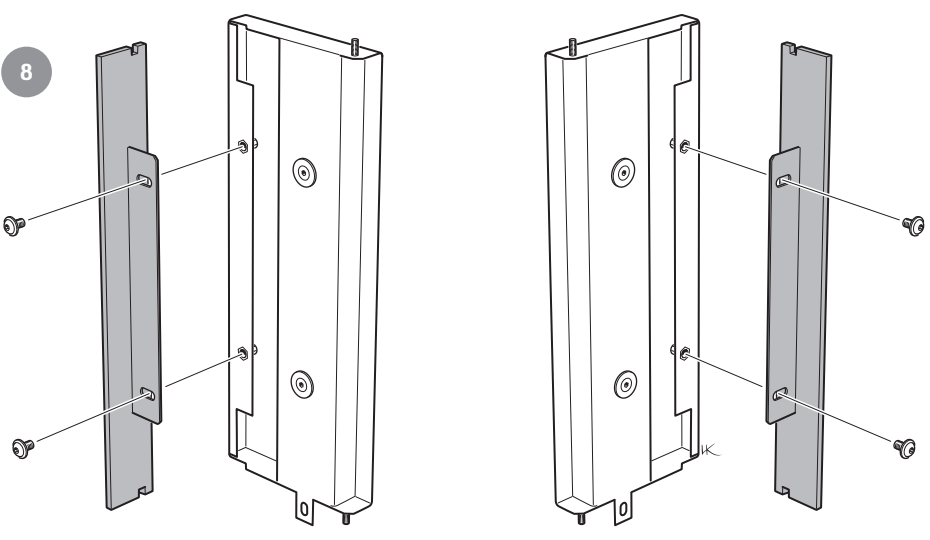
x 16
Nut M5
Tool 8 mm

7



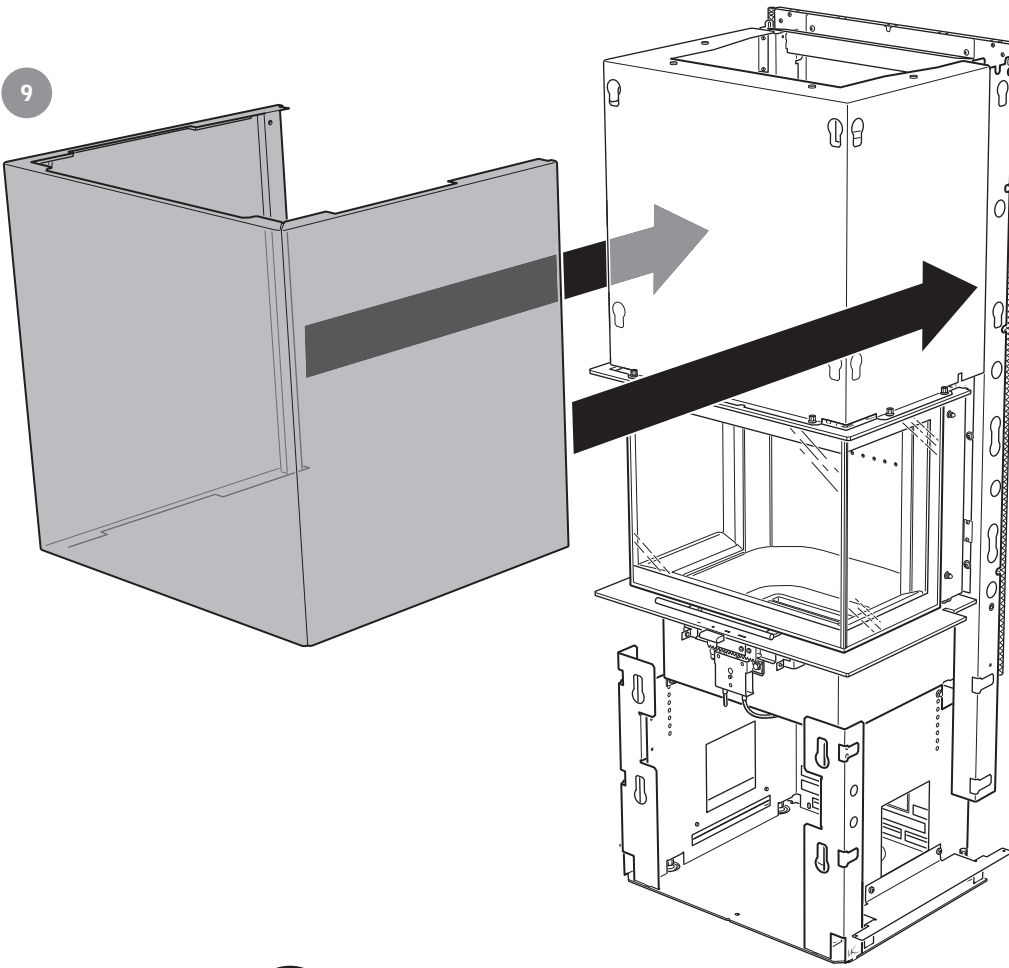
x 12
Nut M5
Tool 8 mm

8



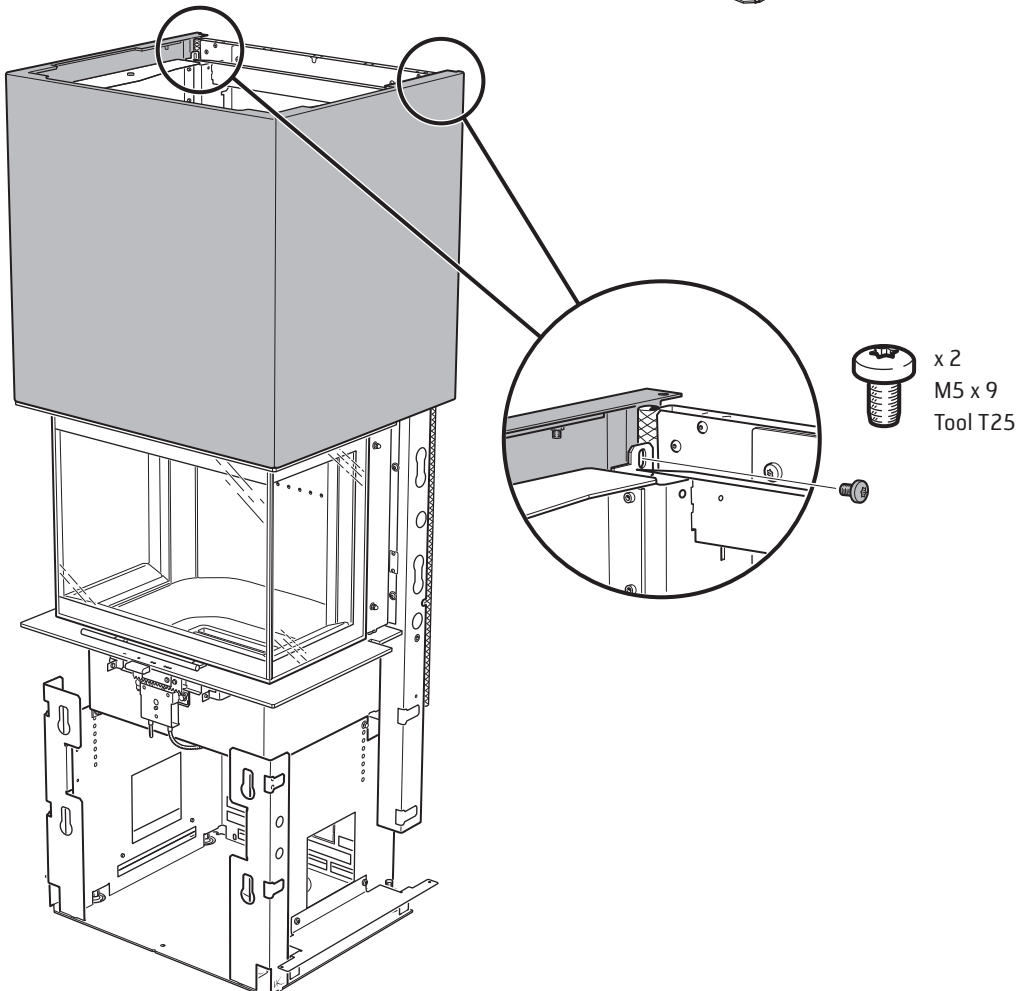
x 4
M6 x 10
Allen screw 4

9



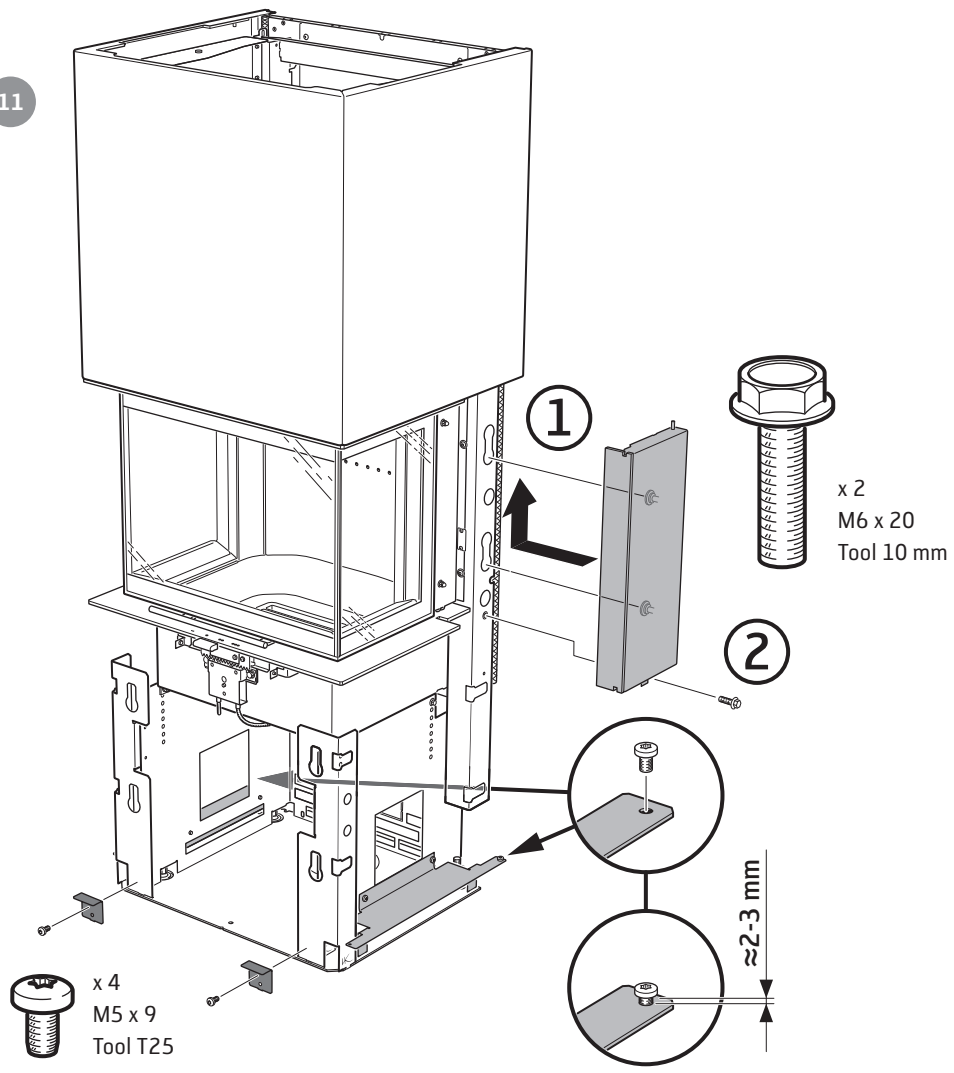
Ci61

10

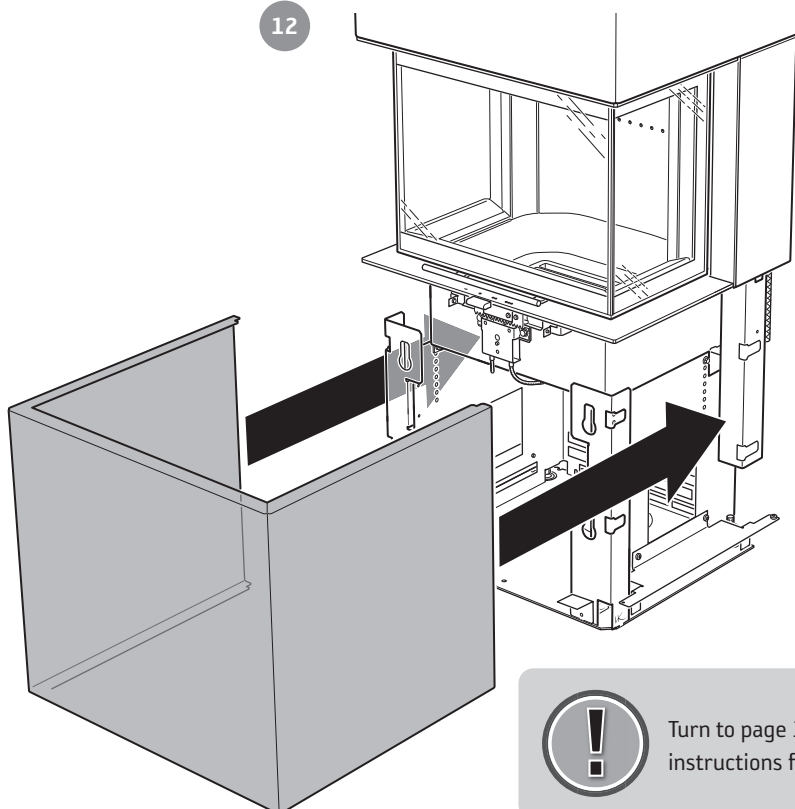



C161

11



12

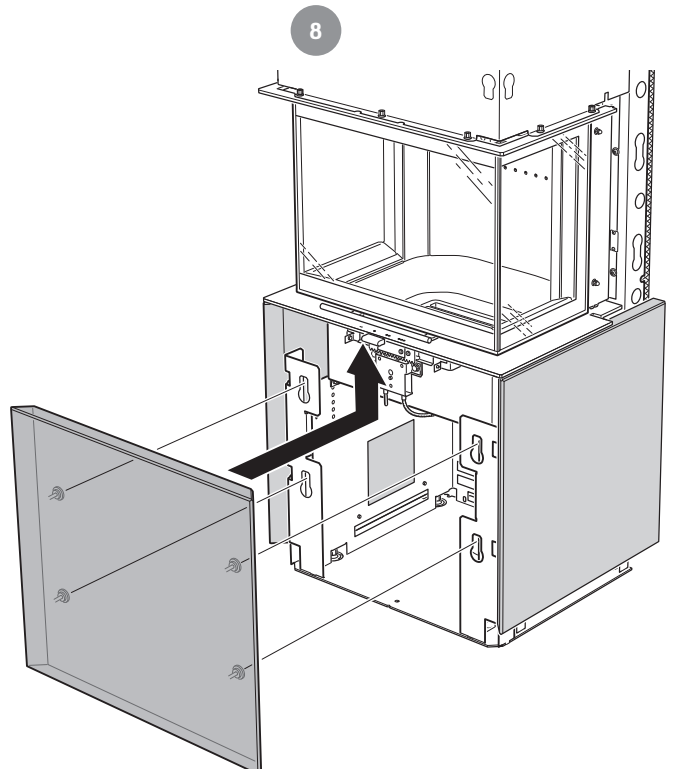
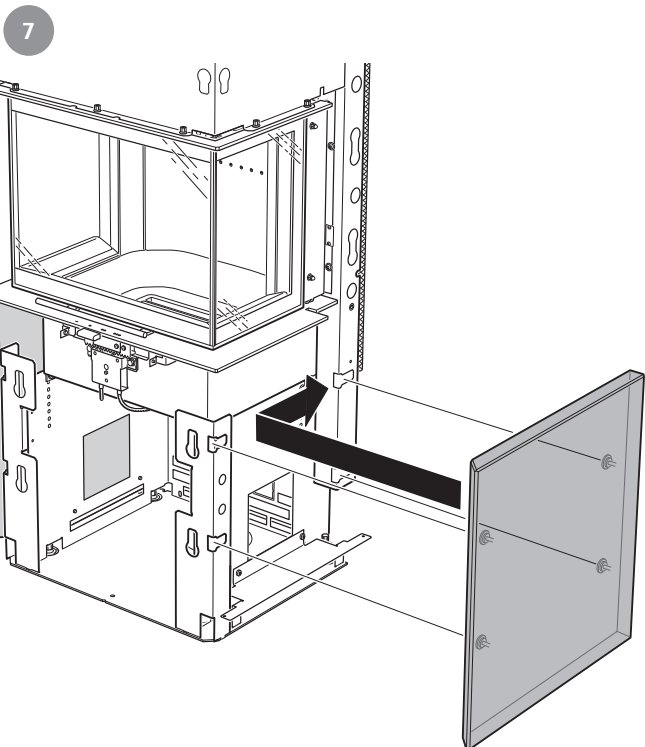
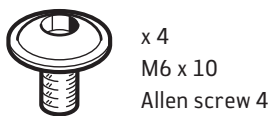
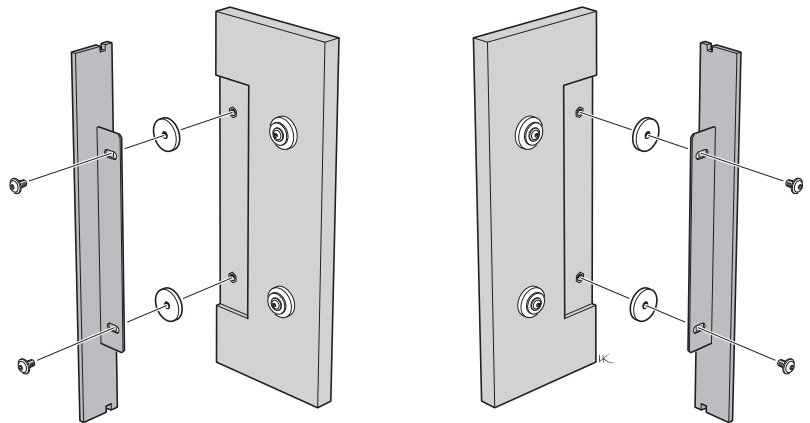
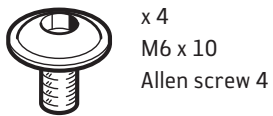
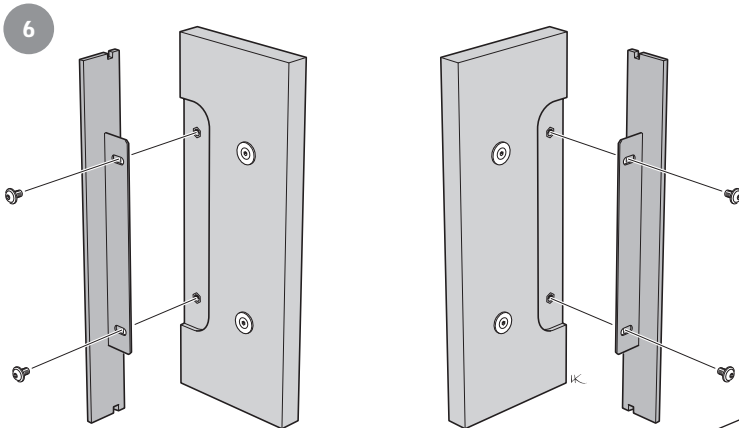


 Turn to page 19 for installation instructions for the grate and top.

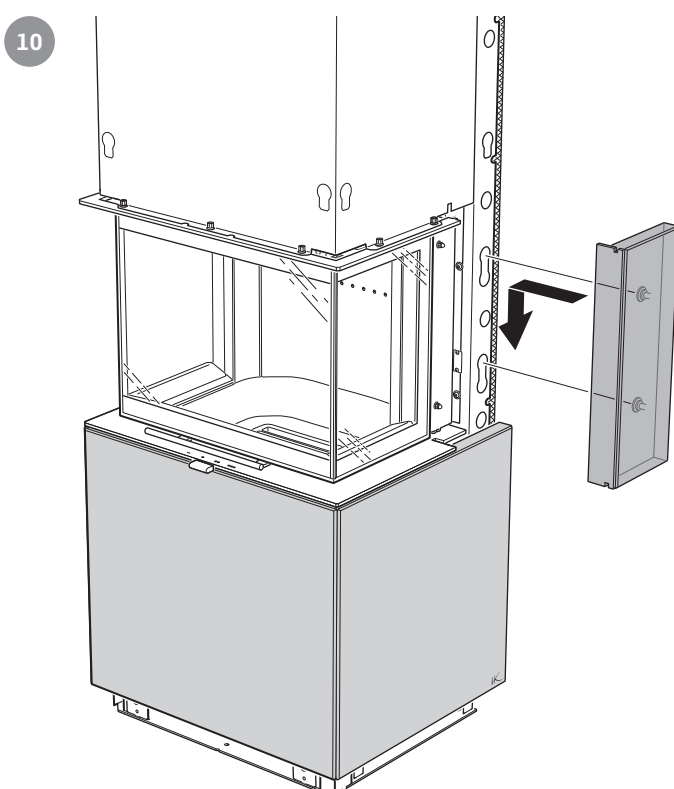
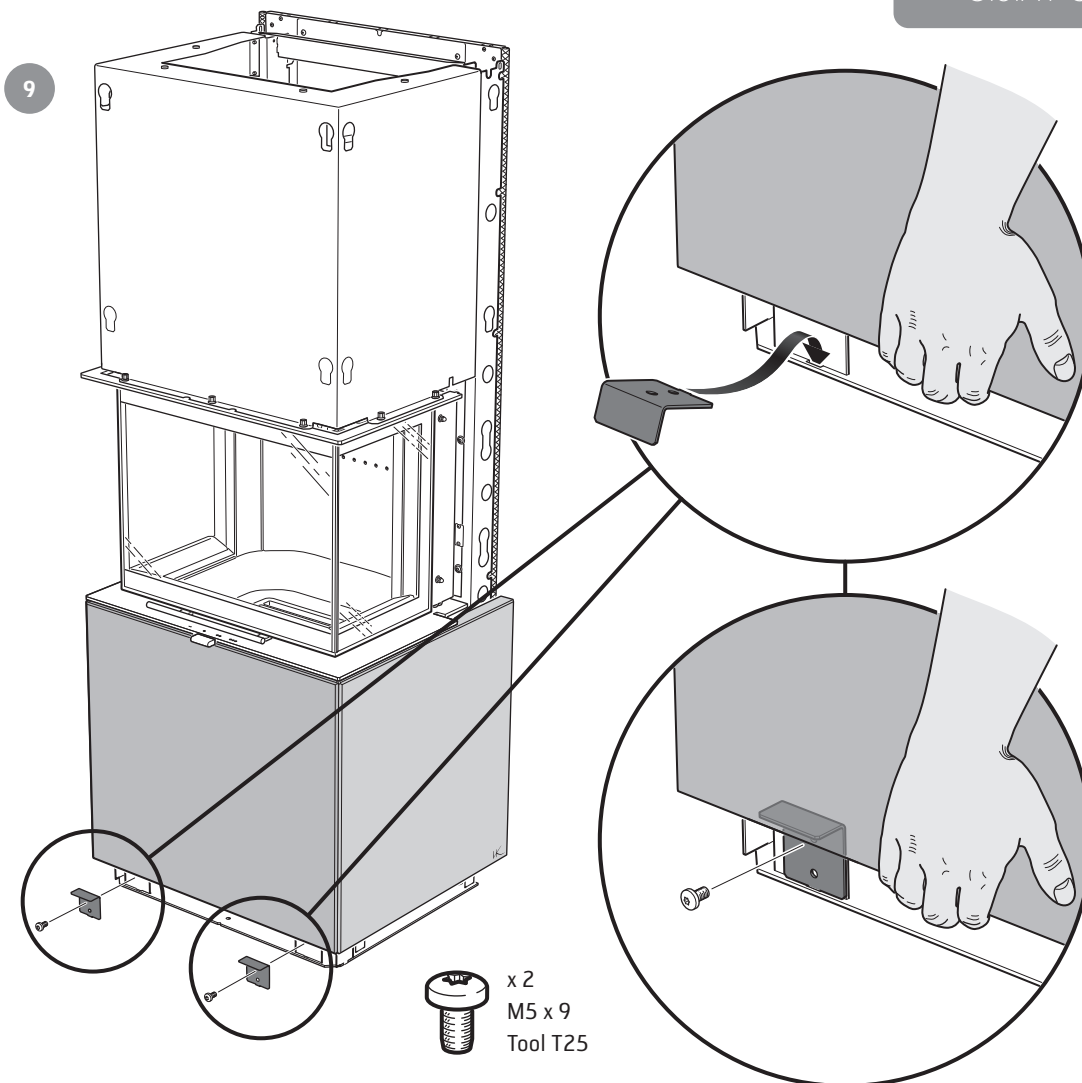
...continued from page 12.

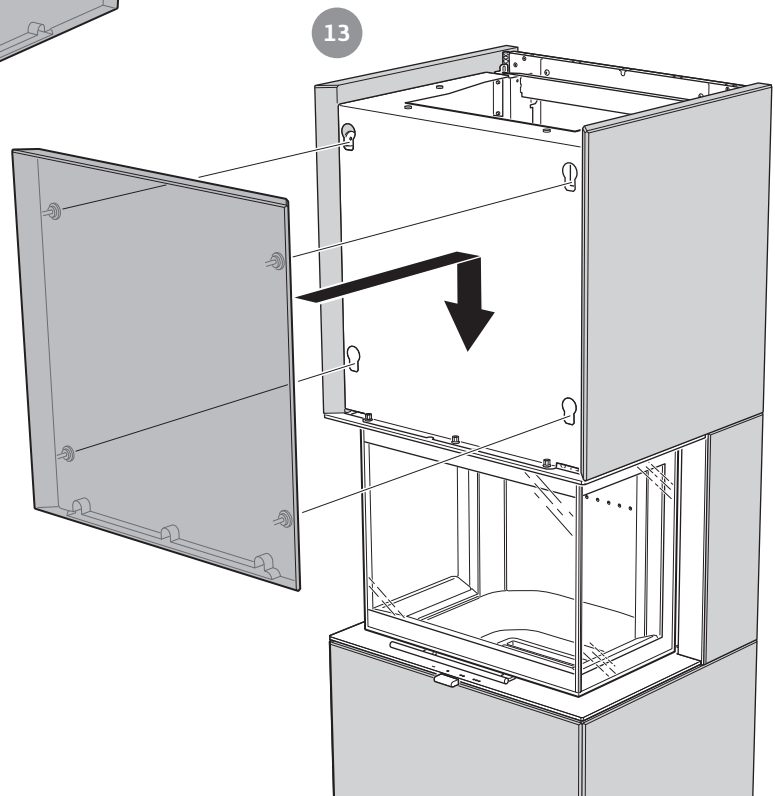
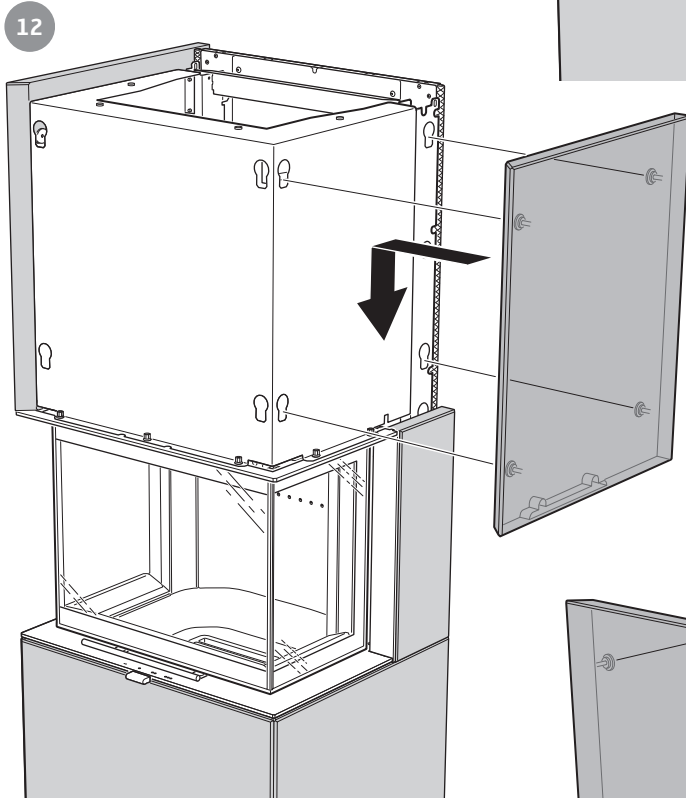
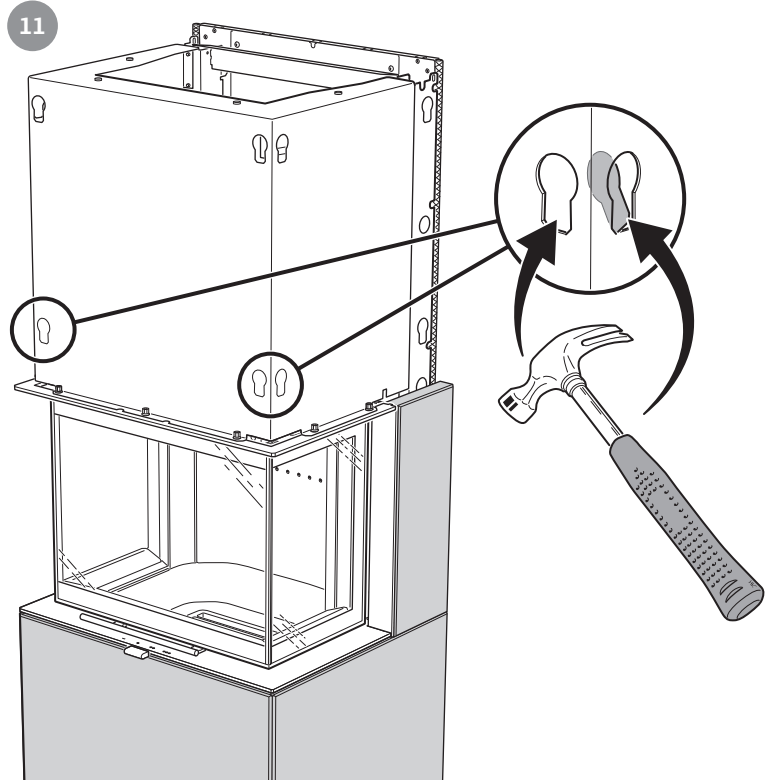
Ci61T

Ci61A / Ci61AN



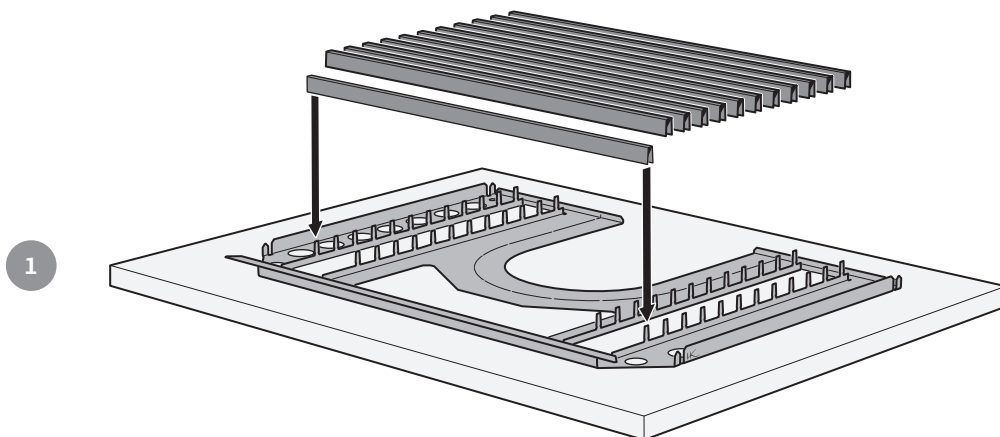
Ci61A / Ci61AN / Ci61T



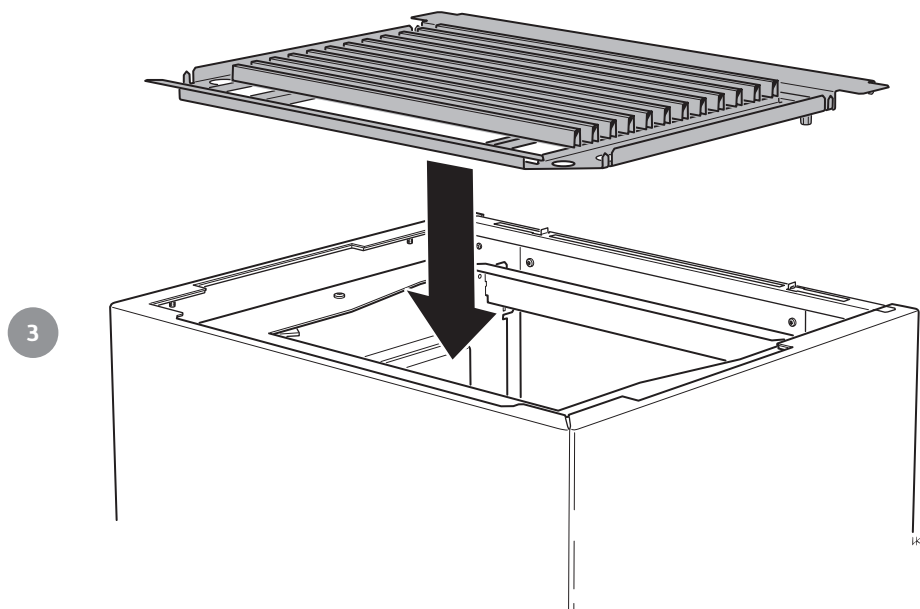
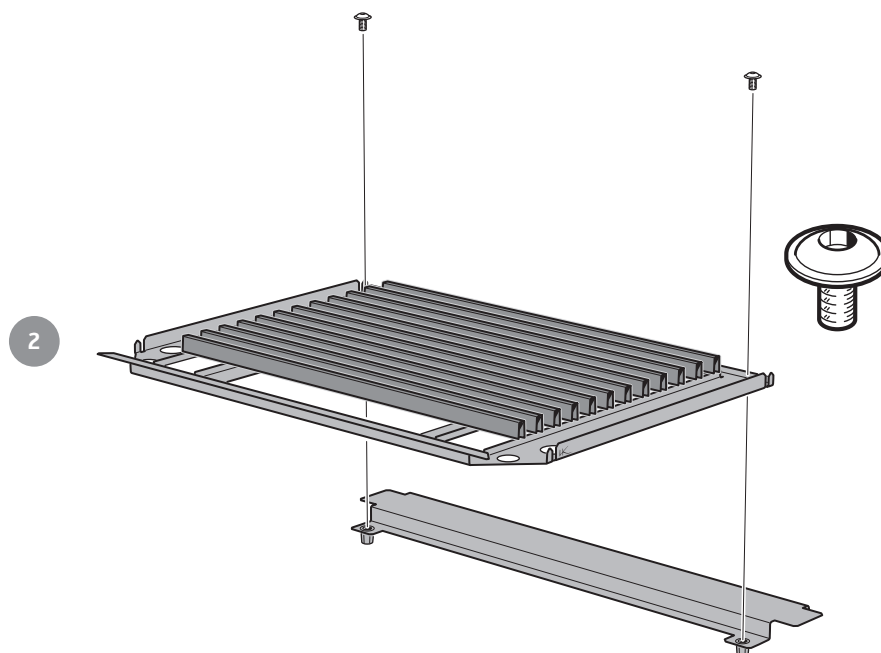


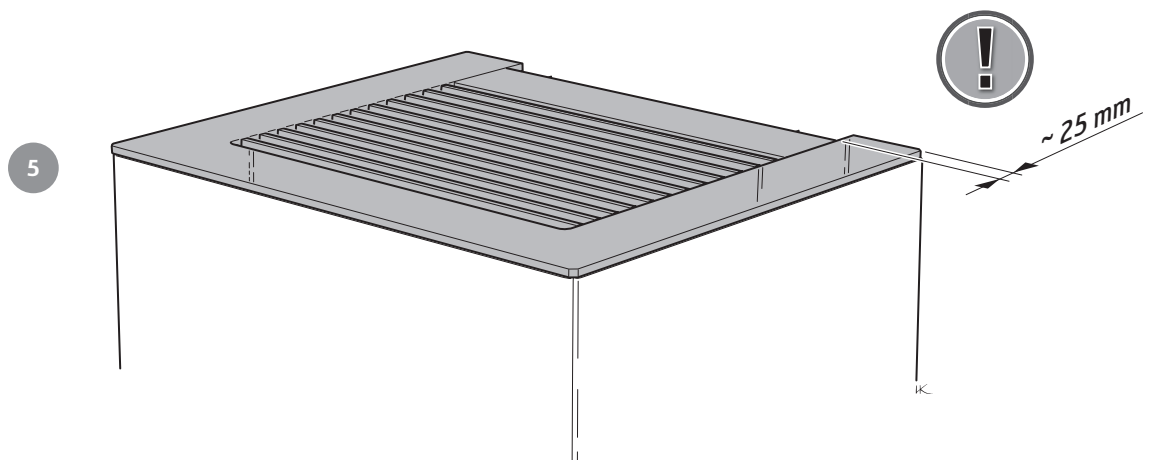
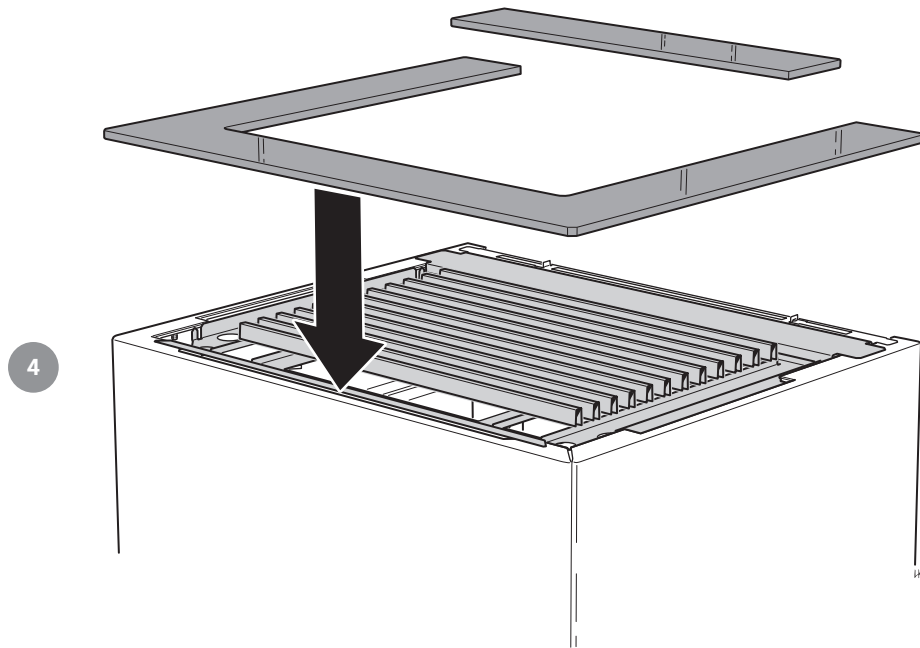
Assembling the grate and top

If connecting at the rear



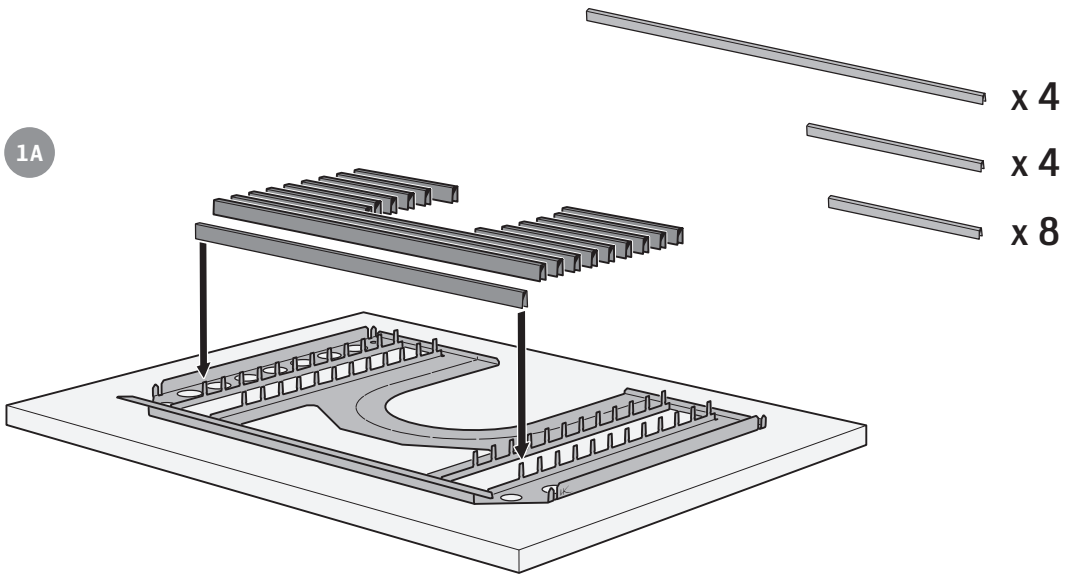
x 2
M6 x 10
Allen screw
4



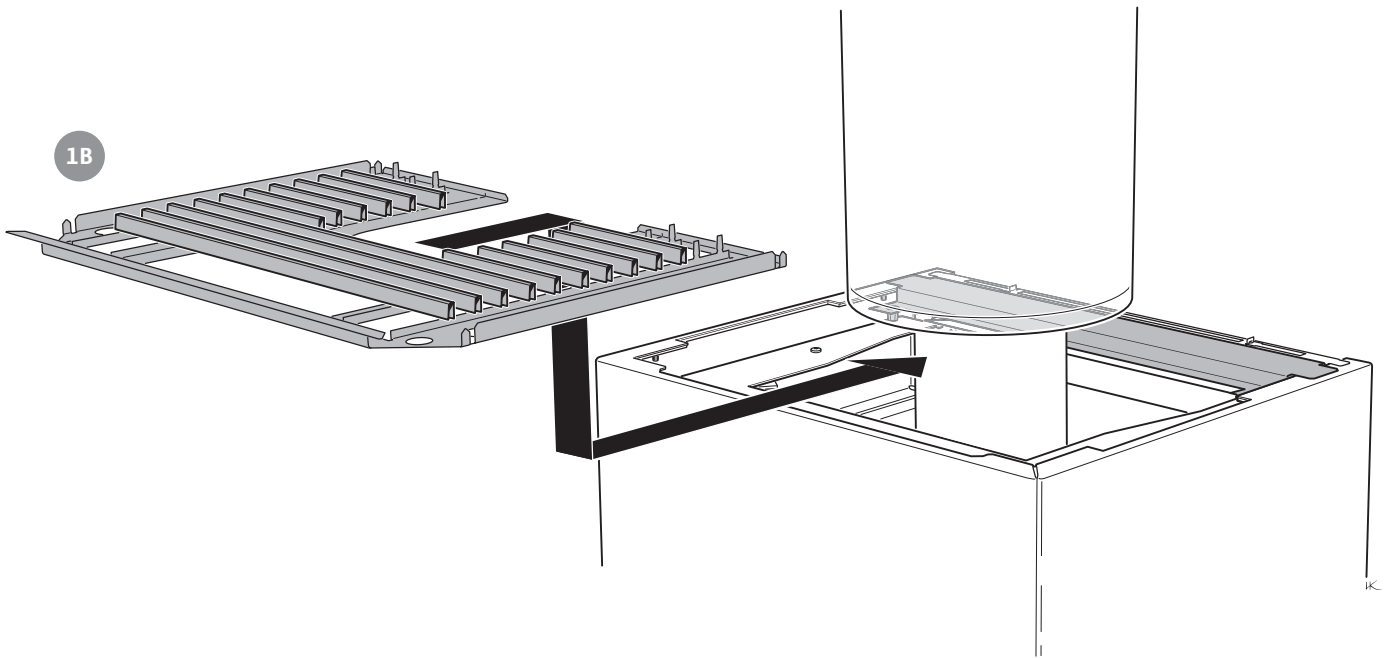


For top connection

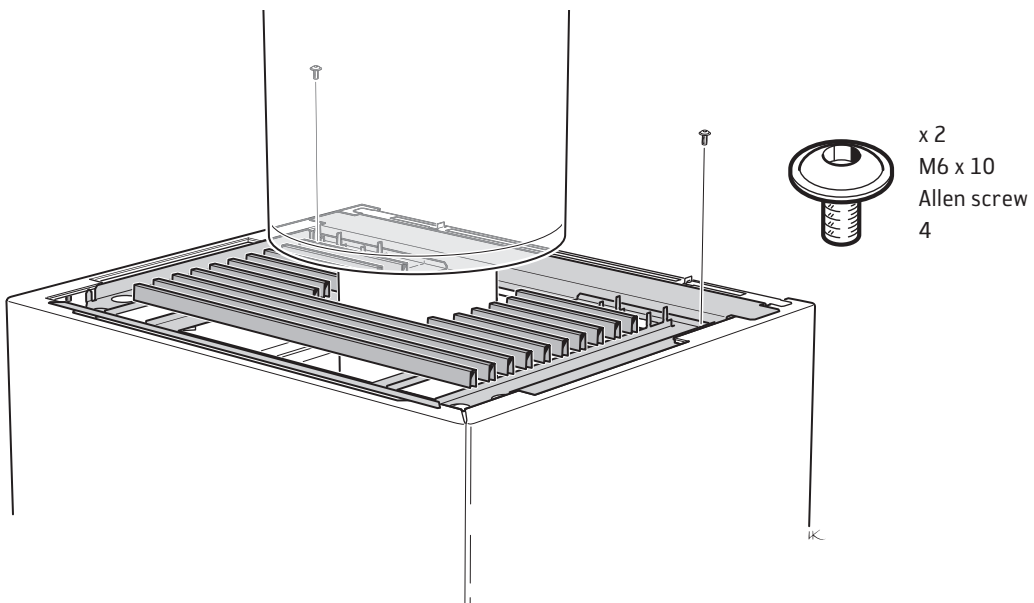
1A

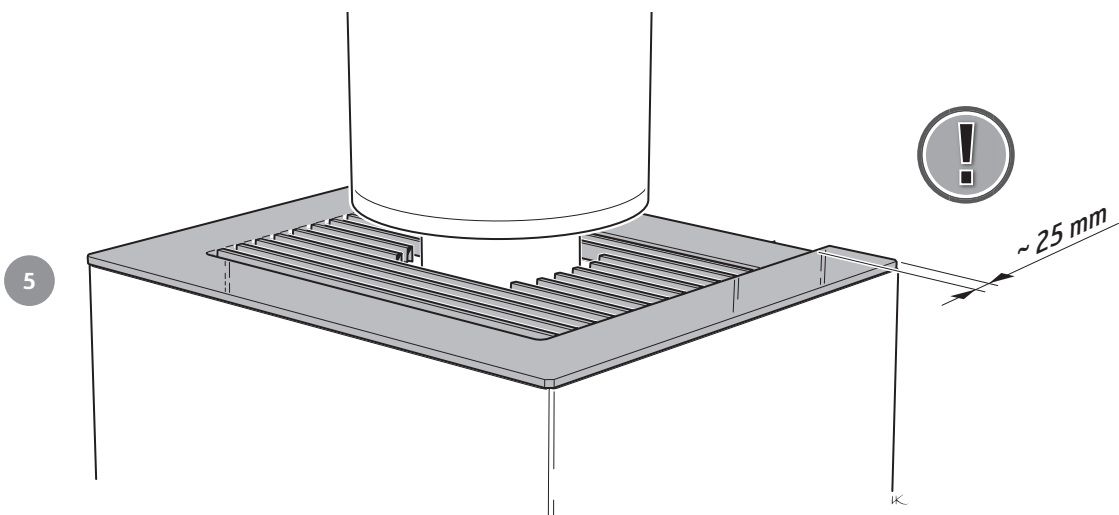
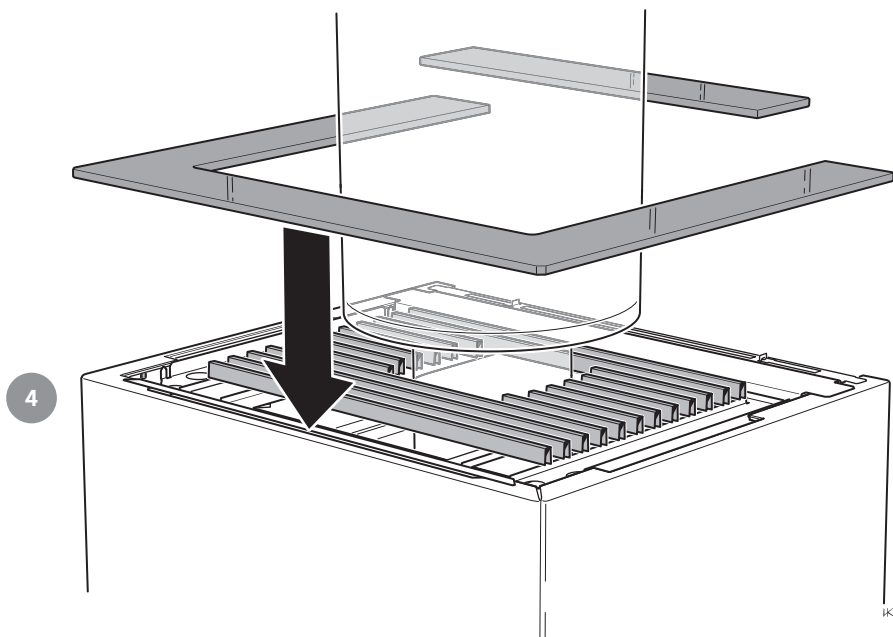
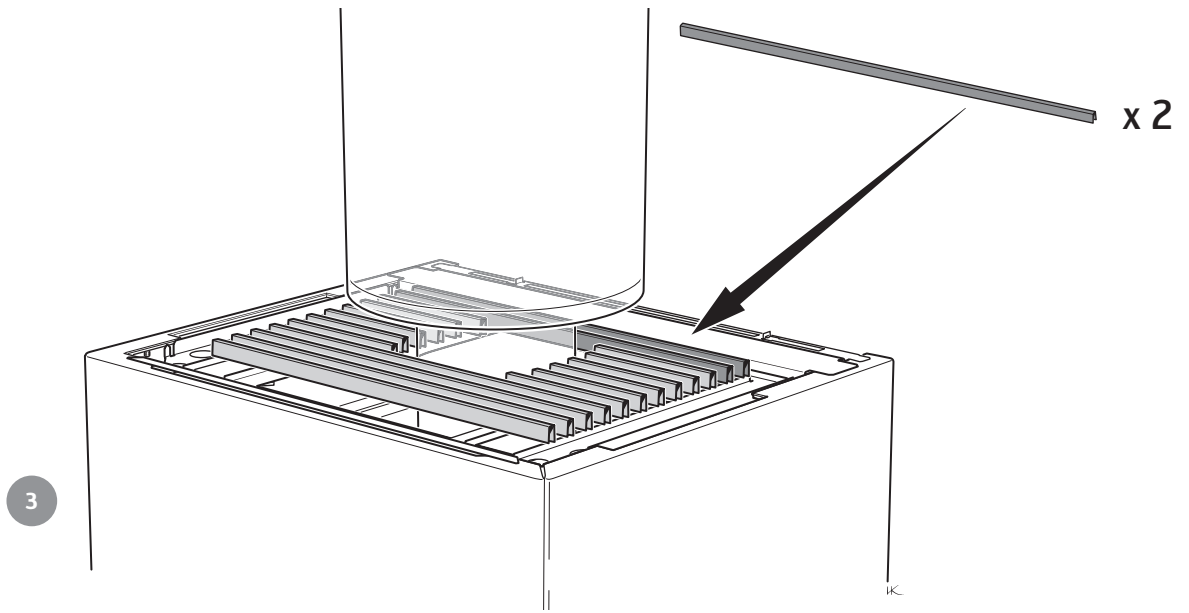


1B

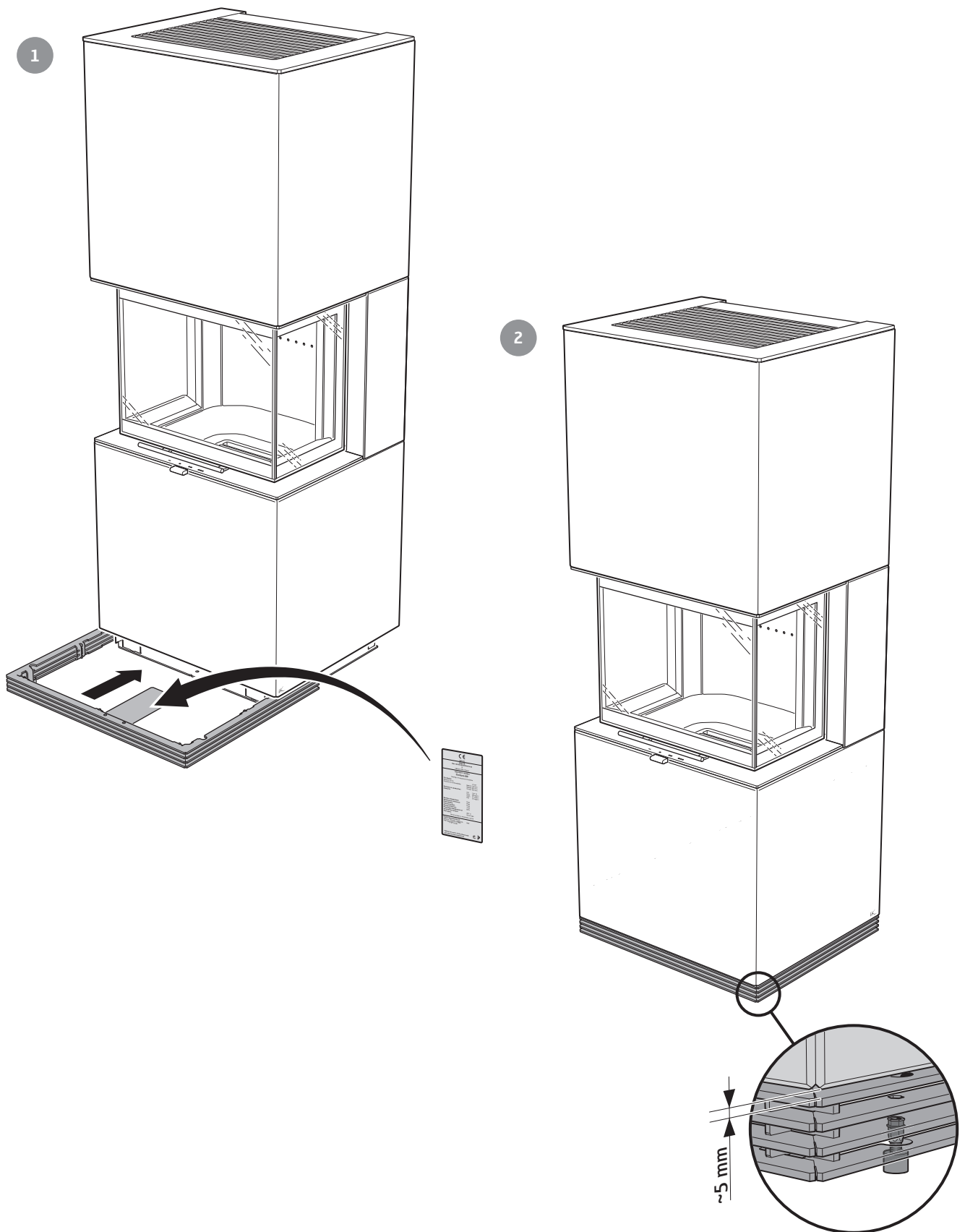


2





Disc base



Final inspection of the installation

When it has been installed, the stove must be inspected by an authorised inspection body before it can be used. You should also read the "Lighting instructions" before lighting the stove for the first time.

Contura

NIBE AB · Box 134 · 285 23 · Markaryd · Sweden
contura.eu

811416 IAV SE-EX Ci61 Plåt/Sten-4
2021-11-24

Contura reserves the right to change dimensions and procedures specified in these instructions without prior notice. Access the latest version at contura.eu