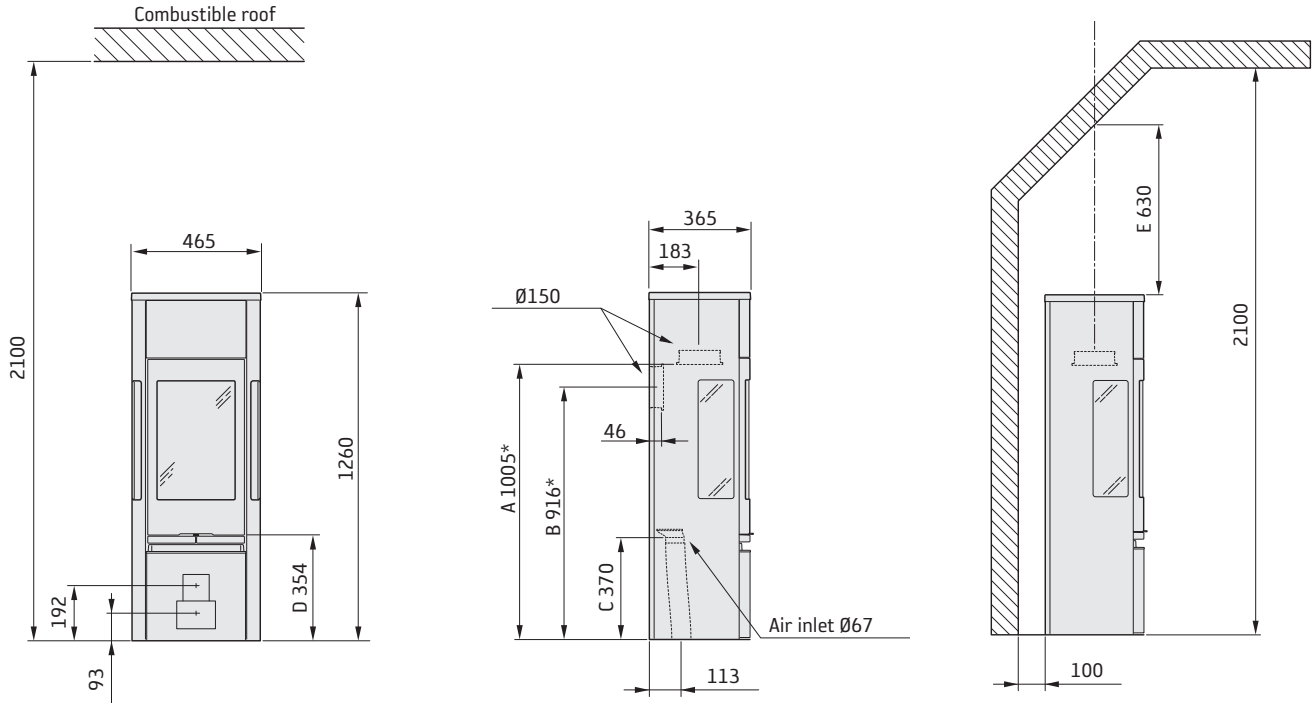


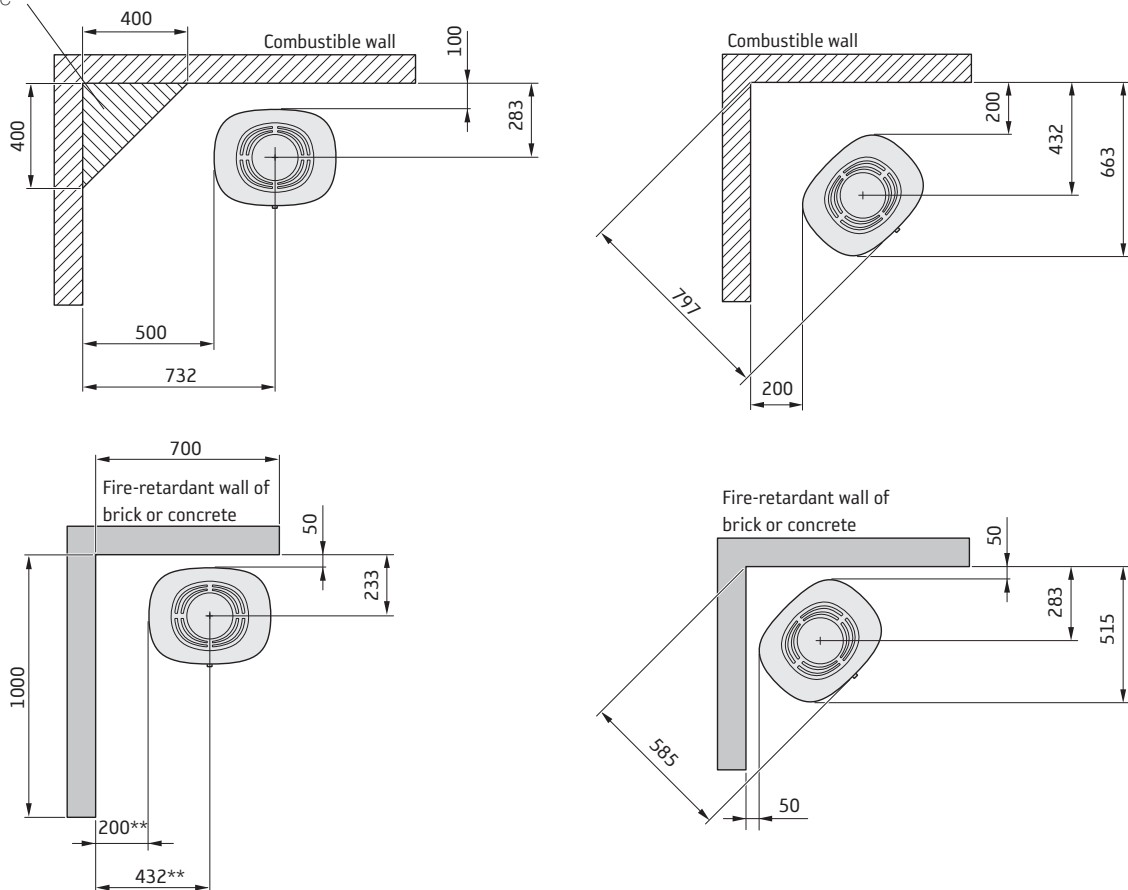
896 Style

A = height from floor to chimney connection upwards
 B = height from floor to c/c chimney connection rear
 C = height from floor to air inlet
 D = height from floor to lower edge of hatch
 E = minimum height to sloped ceiling from the centre of the chimney

Max. log length: 33 cm



Permitted area for combustible building structure



* If the stove is placed on a floor protector hearth plate made of glass for example (accessory option), the height from the floor will be increased by the thickness of the hearth plate; for a freestanding glass hearth plate this will be 10 mm.

** To prevent discolouration of painted non-combustible walls, we recommend the same safety spacing as for a combustible wall.